



616 GSR2 Diamond-Fyre Gas Insert

Another home run.

Now available from
America's leading
hearth manufacturer...
Travis Industries.



What's the magic?

The nation's fastest growing hearth category, gas inserts, just enlisted another star...the 616 Diamond-Fyre. GreenSmart 2 technology, a massive ceramic glass viewing area, seamless custom panels, interior accent lights, a stunning under lit glass floor, three liner choices and an assortment of face options with safety screen.

**Travis engineering, Travis proportions, Travis style...
it's what makes us #1 in the gas insert market.**

Product Details

Diamond-Fyre Burner

Captivate your customers with the shimmering inclined Diamond-Fyre burner that draws the eye towards a stunning linear row of adjustable flames. Glass colors available from Travis include Platinum, Bronze, or Cobalt Blue. Be adventurous in your showroom...try ruby red or brilliant turquoise glass; the possibilities are endless.

Top & Bottom Accent Lights

The downward shining accent light adds a soft glow to the interior, and the under lighting illuminates the sparkling crushed glass.

Intermittent Pilot

Standard feature. Why run the pilot when you don't need to? The intermittent pilot ignition (IPI) is not only earth friendly, it saves your customers money over standing pilot systems.

Attention Owners & Sales Managers



TRAVIS INDUSTRIES
HOUSE OF FIRE

June 3, 2013

Page 2 of 2

Hot Flash # 2705

GreenSmart 2 Remote

Standard feature. Controls burner on/off, flame height, fan, accent lights, and IPI/CPI. The "set-it-and-forget-it" Smart Thermostat transforms the 616 into one clever heater...saving your customers fuel and money.

180 CFM fan

Standard feature. Efficiently circulates room air.

Battery Back Up

Works during power outages!!!

Specs

Installation Options

- Residential or Mobile Home
- Masonry or Factory Built (Metal)
Wood burning Fireplace

BTU's

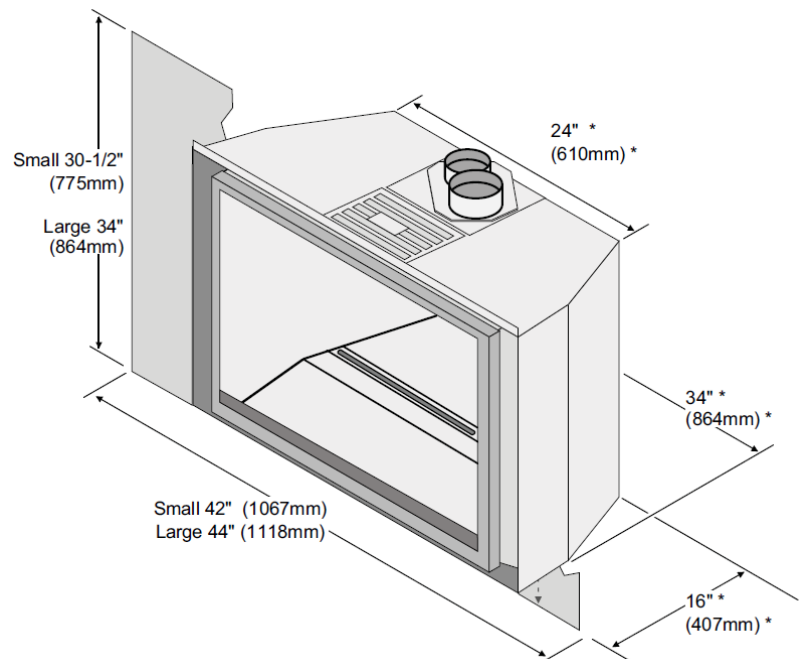
Maximum input per hour:
38,000 (NG) 35,000 (LP)

Heating Capacity

600 to 2,000 square feet*
(*Varies with floor plan, insulation,
and climate.)

Dimensions

Width: 34" (front) 24" (back)
Depth: 16"
Height: 23-5/16"



The 616 Diamond-Fyre uses all the same faces, panels, and metal firebacks as the current 616 GSR2. Please check your Back Office for updated pricing. If you have Google Drive and have linked the price lists to your folder, they have automatically updated.

This new model is in stock and ready to ship! (Orders placed at this year's Trade Show will be filled first.) Please call your Travis sales team with any questions.

Warm Regards,


Perry Raney

National Sales Manager
Travis Industries, Inc.